



Octostrip

ORDERCODE 42220



SHOWELECTRONICS FOR PROFESSIONALS

Congratulations!

You have bought a great, innovative product from Showtec.

The Showtec LED Octostrip brings excitement to any venue. Whether you want simple plug-&-play action or a sophisticated DMX show, this product provides the effect you need.

You can rely on Showtec, for more excellent lighting products.

We design and manufacture professional light equipment for the entertainment industry.

New products are being launched regularly. We work hard to keep you, our customer, satisfied.

For more information: iwant@showtec.info

You can get some of the best quality, best priced products on the market from Showtec.

So next time, turn to Showtec for more great lighting equipment.

Always get the best -- with Showtec !

Thank you!



Showtec LED Octostrip™ Product Guide

Warning	2
Safety-instructions.....	2
Operating Determinations.....	3
Description	4
Features.....	4
Overview.....	4
Installation	5
Set Up and Operation	5
Panel Functions.....	5
- Mode.....	5
- F / S.....	6
Stand-Alone.....	6
Sound-Active.....	6
DMX Operation.....	7
- DMX Modes.....	8
Maintenance	9
Changing the Fuse.....	9
Troubleshooting	9
Product Specifications	10

WARNING



CAUTION!
Keep this device away from rain and moisture!



**FOR YOUR OWN SAFETY, PLEASE READ THIS USER MANUAL CAREFULLY
BEFORE YOUR INITIAL START-UP!**

SAFETY INSTRUCTIONS

Every person involved with the installation, operation and maintenance of this device has to:

- be qualified
- follow the instructions of this manual



CAUTION! Be careful with your operations.
With a dangerous voltage you can suffer
a dangerous electric shock when touching the wires!



Before your initial start-up, please make sure that there is no damage caused by transportation. Should there be any, consult your dealer and do not use the device.

To maintain perfect condition and to ensure a safe operation, it is absolutely necessary for the user to follow the safety instructions and warning notes written in this manual.

Please consider that damages caused by manual modifications to the device are not subject to warranty.

This device contains no user-serviceable parts. Refer servicing to qualified technicians only.

IMPORTANT:

The manufacturer will not accept liability for any resulting damages caused by the non-observance of this manual or any unauthorized modification to the device.

- Never let the power-cord come into contact with other cables! Handle the power-cord and all connections with the mains with particular caution!
- Never remove warning or informative labels from the unit.
- Never leave any cables lying around.
- Do not insert objects into air vents.
- Do not open the device and do not modify the device.
- Do not connect this device to a dimmerpack.
- Do not shake the device. Avoid brute force when installing or operating the device.
- Do not switch the device on and off in short intervals, as this would reduce the system's life.
- Only use device indoor, avoid contact with water or other liquids.
- Only operate the fixture after having checked that the housing is firmly closed and all screws are tightly fastened.
- Only operate the device after having familiarized with its functions.
- Avoid flames and do not put close to flammable liquids or gases.
- Always keep case closed while operating.
- Always allow free air space of at least 50 cm around the unit for ventilation.
- Always disconnect power from the mains, when device is not used or before cleaning! Only handle the power-cord by the plug. Never pull out the plug by tugging the power-cord.
- Make sure that the device is not exposed to extreme heat, moisture or dust.

- Make sure that the available voltage is not higher than stated on the rear panel.
- Make sure that the power-cord is never crimped or damaged. Check the device and the power-cord from time to time.
- If device is dropped or struck, disconnect mains power supply immediately. Have a qualified engineer inspect for safety before operating.
- If the device has been exposed to drastic temperature fluctuation (e.g. after transportation), do not switch it on immediately. The arising condensation water might damage your device. Leave the device switched off until it has reached room temperature.
- If your Showtec device fails to work properly, discontinue use immediately. Pack the unit securely (preferably in the original packing material), and return it to your Showtec dealer for service.
- For adult use only. The device must be installed out of the reach of children. Never leave the unit running unattended.
- For replacement use fuses of same type and rating only.
- Repairs, servicing and electric connection must be carried out by a qualified technician.
- WARRANTY: Till one year after date of purchase.

OPERATING DETERMINATIONS

If this device is operated in any other way, than the one described in this manual, the product may suffer damages and the warranty becomes void.

Any other operation may lead to dangers like short-circuit, burns, electric shock, lamp explosion, crash etc.

You endanger your own safety and the safety of others!

Improper installation can cause serious damage to people and property !

Description of the device

Features

The LED Octostrip is a LED system from Showtec.

- 8x Octostrip and 1x controller
- 4x4 meter DC / Signal cable and 4x8 meter DC / Signal cable
- 8x Installation Bracket
- Adjustable Fade time / Chase time
- 3 Modes: Stand-alone, DMX-controlled or Sound-controlled

NOTE: Knowledge of DMX is required to fully utilize this unit.

Overview



Fig. 1



- | | |
|-----------------------|-------------------------------|
| 1) Menu Settings | 8) DMX signal connector (IN) |
| 2) ON/ OFF | 9) DMX signal connector (OUT) |
| 3) Fuse | 10) Power out for Octostrip |
| 4) Power Input (Blue) | 11) Mode |
| 5) Power Thru (Grey) | 12) F / S |
| 6) Audio Sensitivity | 13) Up |
| 7) Mic | 14) Down |

Installation

Remove all packing materials from the LED Octostrip. Check that all foam and plastic padding is removed. Connect all cables.

**Always disconnect from electric mains power supply before cleaning or servicing.
Damages caused by non-observance are not subject to warranty.**

Set Up and Operation

Before plugging the unit in, always make sure that the power supply matches the product specification voltage. Do not attempt to operate a 120V specification product on 230V power, or vice versa.

Connect the LED Octostrip fixtures using the supplied DC / Signal cables and set each fixture address as illustrated below.

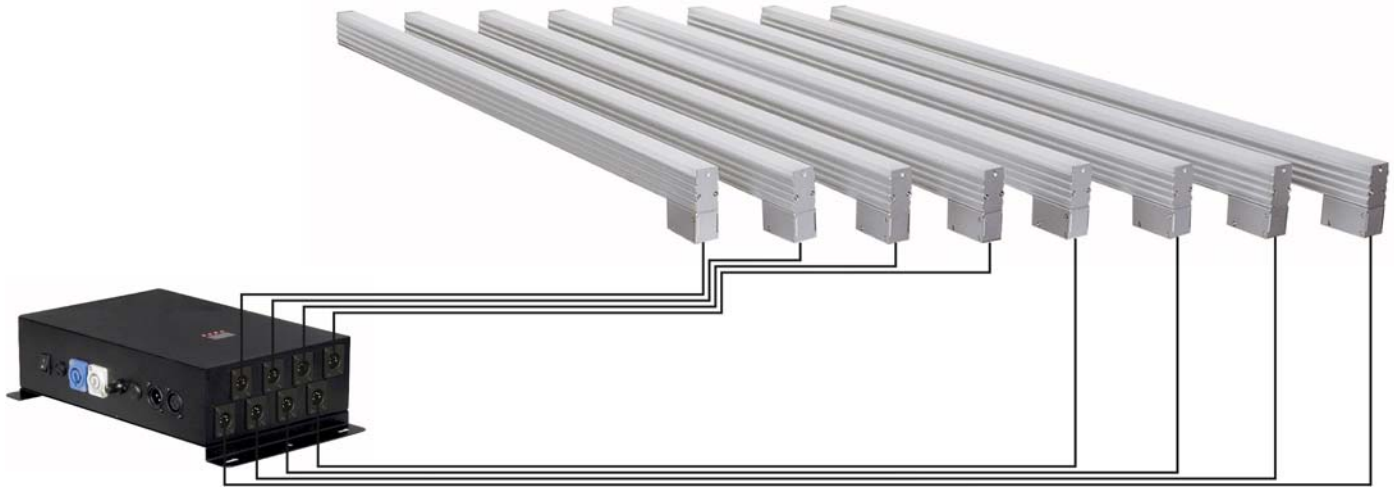


Fig. 3

**Note : Link all cables before connecting electric power.
Ensure that the power supply is off before unplugging the controller or before connecting / disconnecting fixtures.**

Panel Functions

1) Mode



DMX Mode (1-255)
Select DMX address for the controller.



Stand-alone Mode
1-8 = auto-chase
9 = sound-chase



Fixture Control Mode
Select Mode 1, 2, 4 or 8



Manual RGB Color Mixing

2) F / S



Adjust Chase Fade Time from 0-100%.



Adjust Chase Speed from 1-500/min.

Stand-alone Operation

Refer to the four buttons on the front panel of the controller:

Mode
F / S
Up
Down

Press the MODE button to view the Chase menu:



Select Chases 1-9 using the UP and DOWN buttons.
Chases 1-8 run according to the Fade and Speed values.
Chase 9 is sound-active.

Press the F/S button to set the Fade and Speed values:



Adjust Chase Fade Time from 0-100%.



Adjust Chase Speed from 1-500 steps per minute.

Press the MODE button to view the Manual Color Mixing menu:



Press F/S to select the color you want to adjust.
Use UP and DOWN to mix the RGB colors and change their values.



Indicates Red with value from Dark (0) to Bright (255).



Indicates Green with value from Dark (0) to Bright (255).



Indicates Blue with value from Dark (0) to Bright (255).

Sound-active Operation

In Stand-alone mode, select Chase 9 and adjust the audio input level using the sensitivity control dial on the side panel of the Controller.

In DMX mode, use Channel 6 to select Sound-active operation and to adjust the audio sensitivity.

DMX Operation

Press the MODE button to view the DMX address setting menu:



Select the DMX starting address for the controller using the UP and DOWN buttons.

The DMX Channel functions are:

- Channel 1: Rainbow
- Channel 2: Red (0-255)
- Channel 3: Green (0-255)
- Channel 4: Blue (0-255)
- Channel 5: Strobe (1-20HZ)
- Channel 6: Sound-active/ Audio sensitivity

There are 8 modes of self-running programs (0-220) and 1 sound-active program (241-255) in Channel 6.

- Chase 1: 1-30
- Chase 2: 31-60
- Chase 3: 61-90
- Chase 4: 91-120
- Chase 5: 121-150
- Chase 6: 151-180
- Chase 7: 181-210
- Chase 8: 211-240
- Sound-Active: 241-255

The Controller will automatically detect the presence of a DMX signal.

IF a DMX signal is present, the front panel LED display will blink.

In order to receive a DMX signal, the controller must be attached to a DMX controller by a 3-pin DMX cable and the DMX controller must be turned on.

To mix RGB color using DMX, Channel 1 (Rainbow) must be off (0).

When programming your own DMX sequences, note that Channel 6 must be off (0) to avoid activating Sound-active mode during playback.

The LED Octostrip system can operate as a 48-, 24-, 12- or 6- channel DMX fixture. Select DMX Mode 1, 2, 3 or 4 as described on the facing page.

DMX Modes

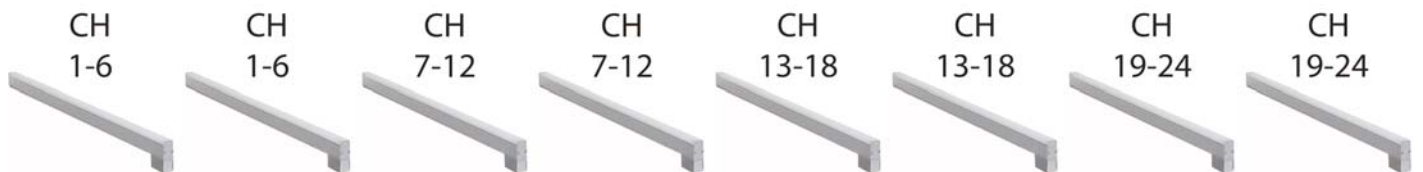
Press the MODE button to view the DMX mode selection menu. Use the UP and DOWN buttons to select the DMX mode.



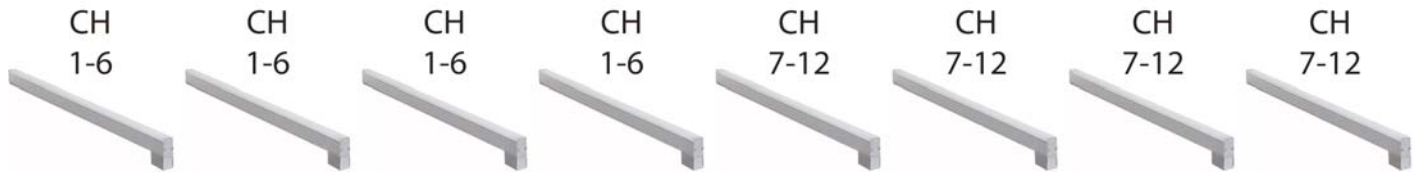
DMX Mode 1 : 48-channel operation (Control each LED Octostrip fixture independently)



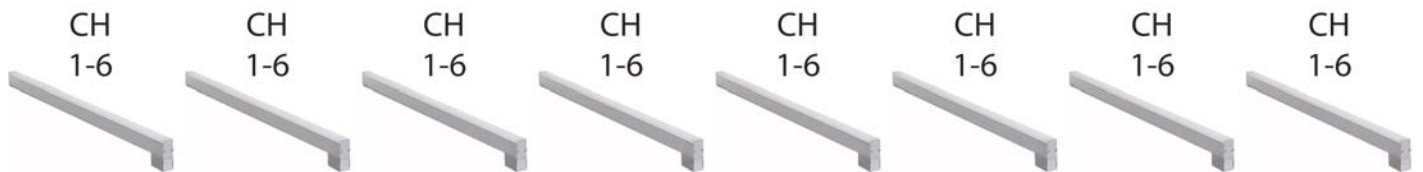
DMX Mode 2 : 24-channel operation (Control 4 sets of 2 LED Octostrip fixtures)



DMX Mode 4 : 12-channel operation (Control 2 sets of 4 LED Octostrip fixtures)



DMX Mode 8 : 6-channel operation (Control 8 LED Octostrip fixtures simultaneously)



Maintenance

The LED Octostrip requires almost no maintenance. However, you should keep the unit clean. Disconnect the mains power supply, and then wipe the cover with a damp cloth. Do not immerse in liquid. Keep connections clean. Disconnect electric power, and then wipe the audio connections with a damp cloth. Make sure connections are thoroughly dry before linking equipment or supplying electric power.

Replacing a Fuse

Power surges, short-circuit or inappropriate electrical power supply may cause a fuse to burn out. If the fuse burns out, the product will not function whatsoever. If this happens, follow the directions below to do so.

1. Unplug the unit from electric power source.
2. Insert a screwdriver into the slot in the fuse cover. Turn the screwdriver to the left, at the same time gently push a bit (Turn and Push). The fuse will come out.
3. Remove the broken fuse. If brown or unclear, it is burned out.
4. Insert the replacement fuse into the holder where the old fuse was. Reinsert the fuse cover.
Be sure to use a fuse of the same type and specification. See the product specification label for details.

Troubleshooting

Showtec LED Octostrip

This troubleshooting guide is meant to help solve simple problems.

If a problem occurs, carry out the steps below in sequence until a solution is found. Once the unit operates properly, do not carry out following steps.

If the amplifier does not operate properly, refer servicing to a technician.

1. If the device does not operate properly, unplug the device.
2. Check the fuse, power from the wall, all cables etc.
3. If all of the above appears to be O.K., plug the unit in again.
4. If you are unable to determine the cause of the problem, do not open the LED Octostrip, as this may damage the unit and the warranty will become void.
5. Return the device to your Showtec dealer.

Product Specification

Model: Showtec Controller for LED Octostrip

Voltage: AC 230V-50Hz (CE)

Power: 200W

4 different DMX Modes (48 Channels, 24 channels, 12 channels, 6 channels)

8 built-in chases

Adjustable Fade time / Chase time

Sound active Mode

Powerconnection: Powercon (IN and Out)

Data connection: 5 Pole XLR connector

Dimensions: 200 x 360 x 95 mm (LxWxH)

Weight: 5,15 kg

Model: Showtec LED Octostrip

Power: 14W x 8

Data Connection: 5 Pole XLR connector

180 LEDs (60 Red, 60 Green, 60 Blue)

M10 sliding profile for easy mounting of clamps and brackets

Dimensions 1000 x 30 x 93,5 mm (LxWxH)

1000 x 30 x 47,5 mm (LxWxH) Octostrip only

Weight: 1,9 kg x 8

Design and product specifications are subject to change without prior notice.



Other Showtec Products:

LED Tube (41000)



LED Cove Tube (41005)



LED Wallpainter (41200)



LED Aqua Painter (41220)



Octopod 90 (30987)





© 2006 Showtec.